

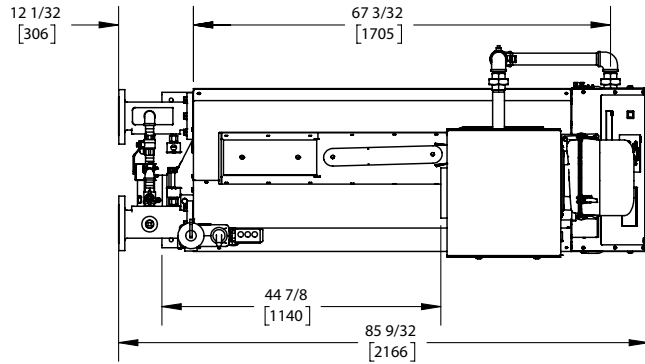
KN-30

Category II or Category IV Appliance
(see Installation and Operation Manual for venting information)

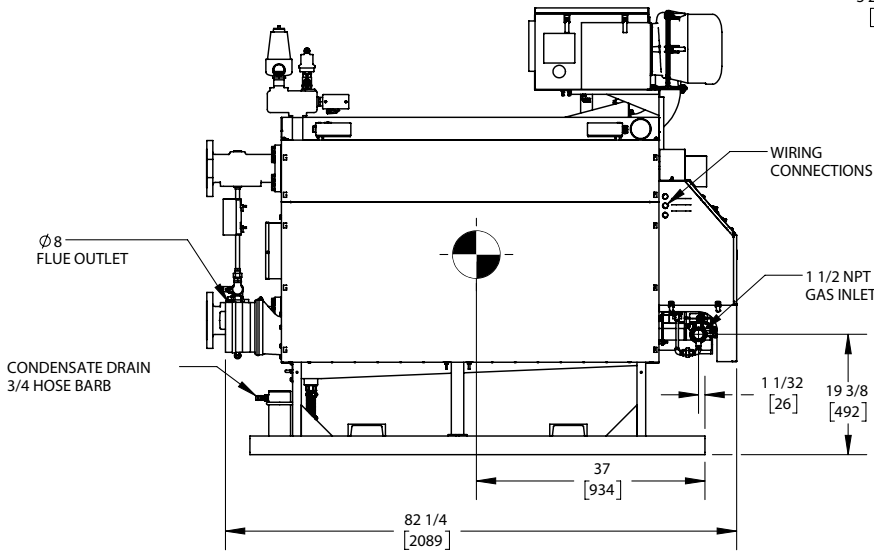
CODE OPTIONS

CSD-1	STANDARD
-------	----------

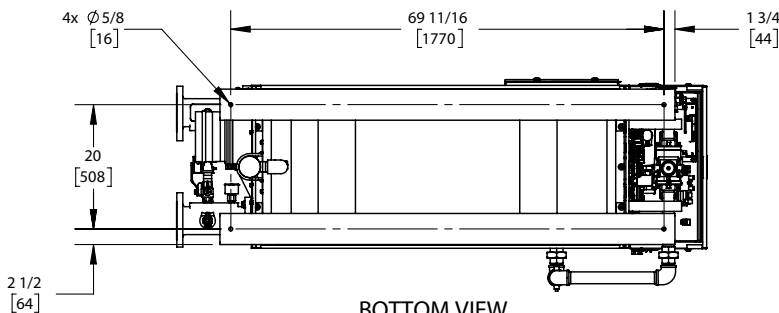
INDOOR UNIT



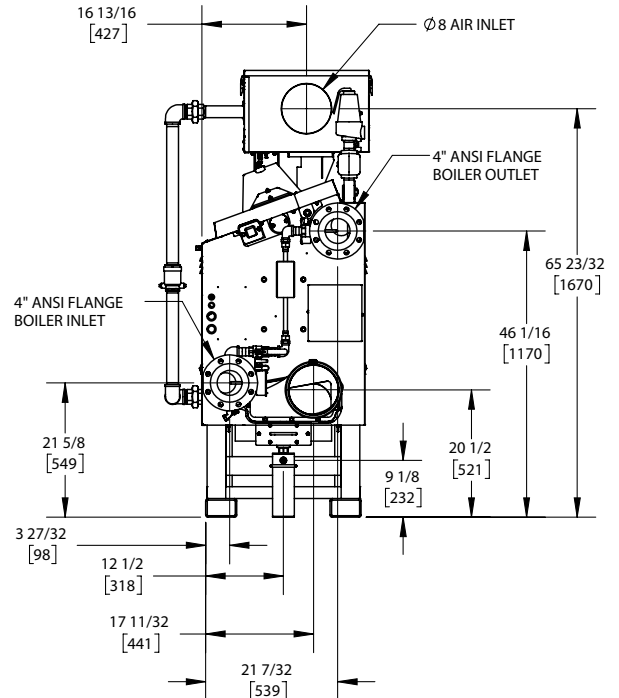
TOP VIEW
ASUB-10_G



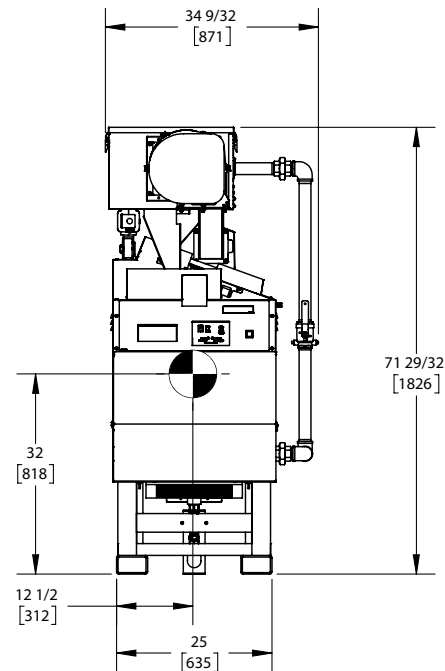
SIDE VIEW
ASUB-10_G



BOTTOM VIEW
ASUB-10_G



REAR VIEW
ASUB-10_G



FRONT VIEW
ASUB-10_G

NOTES:

1. SYMBOL INDICATES CENTER OF GRAVITY.
2. DIMENSIONS ARE NOMINAL AND SUBJECT TO MANUFACTURING VARIATION AND SHOULD NOT BE USED FOR "ROUGHING IN".
3. ALL DIMENSIONS ARE INCHES [mm].



A.G.A. CERTIFIED RATINGS & CAPACITIES

Fuel Type	Natural/LP Gas	Boiler FLA	10.7 A*
Input BTU/hr.	3000 MBH / 879 KW	Min. Gas Pressure Required	3" W.C.
Output BTU/hr.	2700 MBH / 791 KW	Max. Gas Pressure Allowed	14" W.C.
Boiler HP	80.7	Water Volume	31.7 gal.
Electrical Requirements	230VAC/60 hz/3PH	Operating Weight	3850 lbs. / 1748 kg.
SCCR Rating	5kA		

BOILER TRIM & CONTROLS

Main Gas Valve	Dungs MBC	Air Switch	Huba
Firing Valve	1-1/2" Apollo	Flow Sensor	SIKA
Ignition Control	Honeywell RM7895C	Blocked Flue Switch	Cleveland NS2
Operating Control	HeatNet®	Blower Motor	Ametek
High Limit (Manual Reset)	Honeywell L4006E	L.W.C.O.	800
High Limit (Auto Reset)	Honeywell L4006A	Relief Valve	30, 50, 75 & 100 PSI
Main Ball Valve	1-1/2" Apollo	Pilot Regulator	Maxitrol RV12LT
Pilot Cock	1/4" Conbraco		

A.S.M.E.

ASME Sect IV Fire Side Htg Surface	106.38 Sq. Ft. / 9.88 Sq. M.	Design Data	100 PSI & 250°F
ASME Sect IV Water Side Htg Surface	113.74 Sq. Ft. / 10.57 Sq. M.		
CV. GPM (1PSID)	246		


*Add circulator amps.

TEMPERATURE RISE / PRESSURE DROP (Based on Full Input)

20°F / 11.1°C				40°F / 22.2°C				60°F / 33.3°C				80°F / 44.4°C				100°F / 55.5°C			
Flow Rate		Pressure Drop		Flow Rate		Pressure Drop		Flow Rate		Pressure Drop		Flow Rate		Pressure Drop		Flow Rate		Pressure Drop	
GPM	L/s	Ft	kPa	GPM	L/s	Ft	kPa	GPM	L/s	Ft	kPa	GPM	L/s	Ft	kPa	GPM	L/s	Ft	kPa
270.1	17.0	2.78	8.30	135.1	8.50	.70	2.10	90.0	5.70	.31	.90	67.5	4.30	.17	.50	54.0	3.40	.11	.30

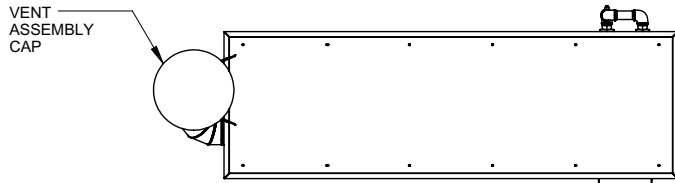
Flow GPM				Temp. Rise** (°F)				Vent Length (Equiv. Ft.)				Air Inlet Length (Equiv. Ft.)			
Min		Max		Min		Max		Min		Max		Min		Max	
54.4		270.1		20		100		6		120		0		120	

**Min/Max delta t reflects boiler operation at full input. For applications requiring operation above/below these parameters please consult factory.

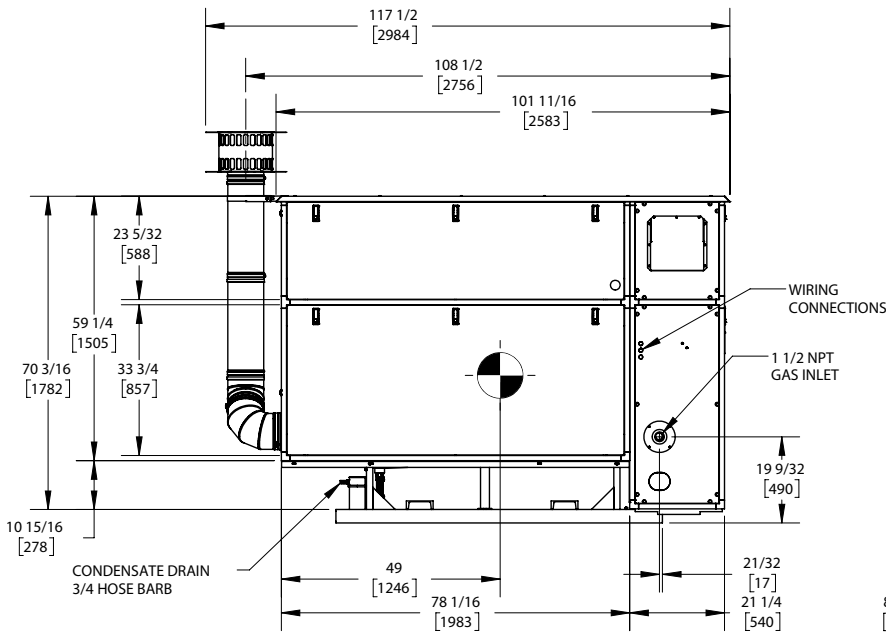
REP FIRM	_____	<h1 style="margin: 0;">KN-30</h1> <p style="margin: 0;">Category II or Category IV Appliance (see Installation and Operation Manual for venting information)</p>
SUBMITTED BY	_____	
JOB NAME	_____	
ARCHITECT	_____	
ENGINEER	_____	
CONTRACTOR	_____	
DATE	_____	 <p>A Division of Mestek, Inc. Westfield, MA 01085 (413) 564-5515</p>

KN-30

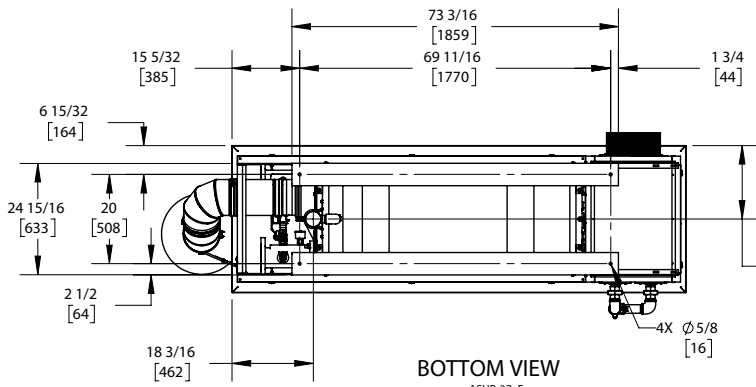
OUTDOOR UNIT



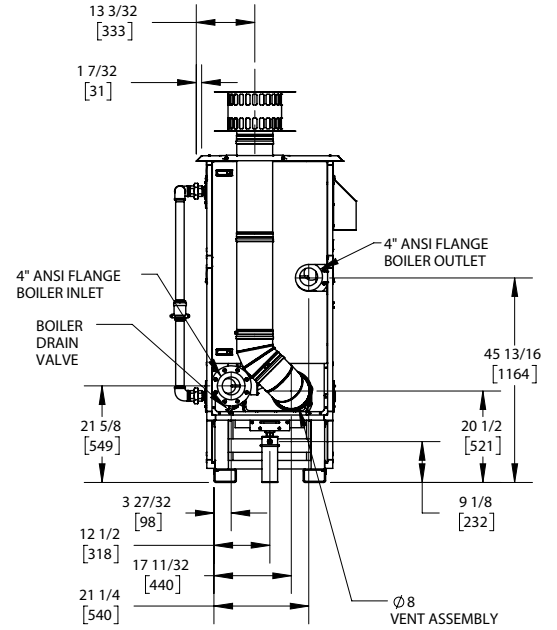
TOP VIEW
ASUB-37_E



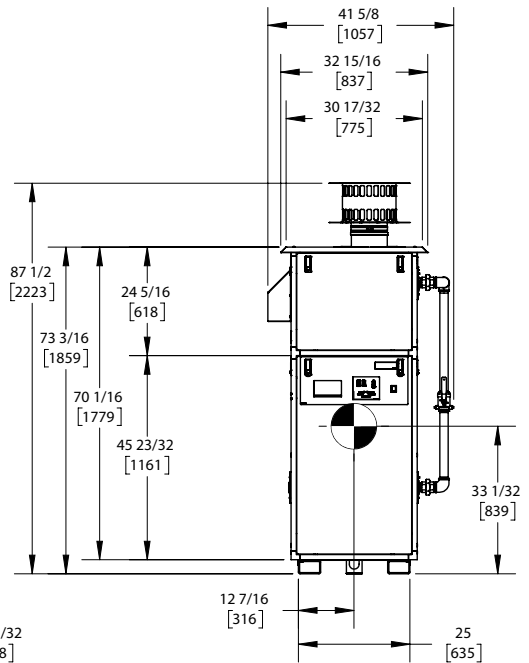
SIDE VIEW
ASUB-37_E



BOTTOM VIEW
ASUB-37_E



REAR VIEW
ASUB-37_E



FRONT VIEW
ASUB-37_E

NOTES:

1. SYMBOL INDICATES CENTER OF GRAVITY.
2. DIMENSIONS ARE NOMINAL AND SUBJECT TO MANUFACTURING VARIATION AND SHOULD NOT BE USED FOR "ROUGHING IN".
3. ALL DIMENSIONS ARE INCHES [mm].